

# **CSE 613: Parallel Programming**

## **Lecture 17**

### **( Concurrent Data Structures: Queues and Stacks )**

**Rezaul A. Chowdhury**

**Department of Computer Science**

**SUNY Stony Brook**

**Spring 2012**

# Desirable Properties of Concurrent Objects

## **Safety Property**

- Nothing bad ever happens
- Needed for correctness

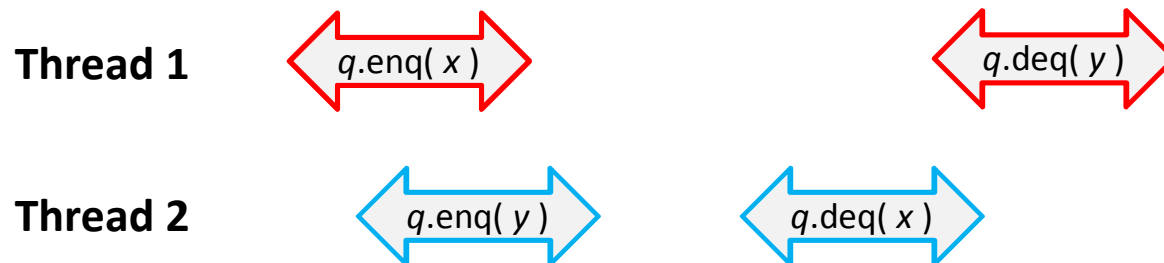
## **Liveness Property**

- Something good eventually happens
- Needed for progress ( e.g., no deadlock )

# Correctness Properties

## Sequential Consistency

- Method calls should appear to happen in a one-at-a-time sequential order
- For each thread method calls should appear to take effect in program order

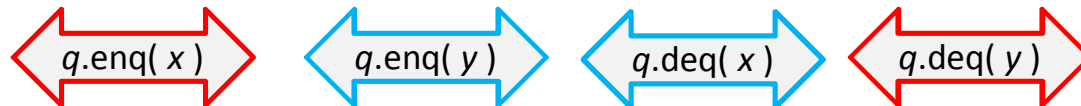


# Correctness Properties

## Sequential Consistency

- Method calls should appear to happen in a one-at-a-time sequential order
- For each thread method calls should appear to take effect in program order

Thread 1



Thread 2

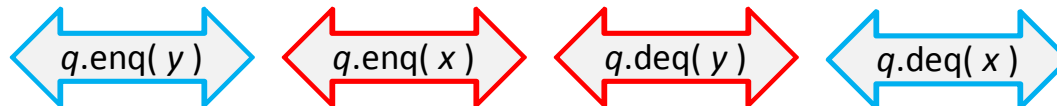
Sequentially Consistent  
( one way )

# Correctness Properties

## Sequential Consistency

- Method calls should appear to happen in a one-at-a-time sequential order
- For each thread method calls should appear to take effect in program order

Thread 1



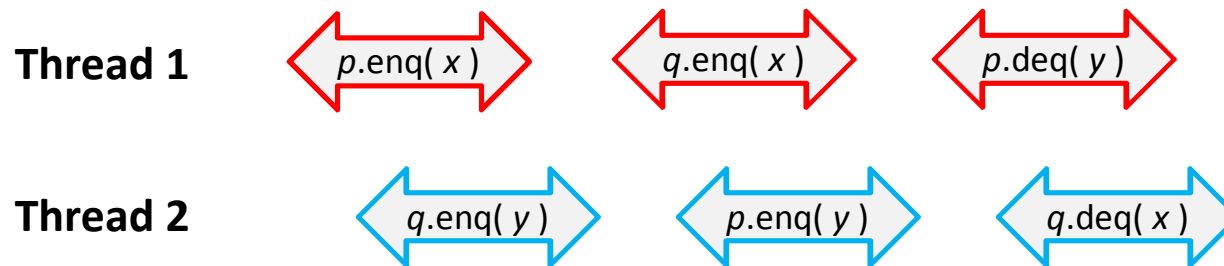
Thread 2

Sequentially Consistent  
( another way )

# Correctness Properties

## Sequential Consistency

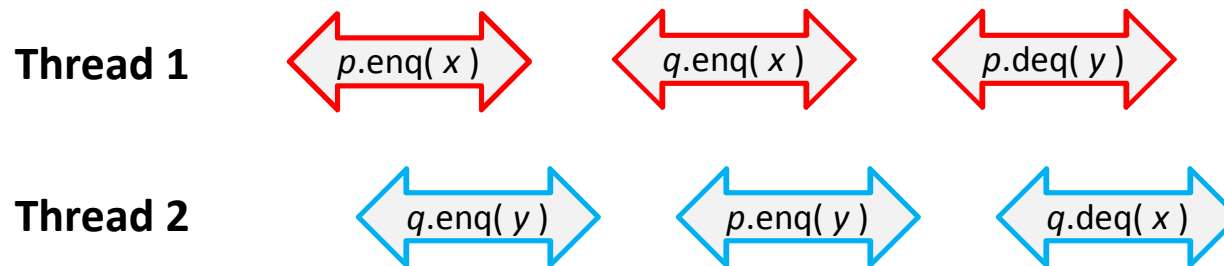
- Method calls should appear to happen in a one-at-a-time sequential order
- For each thread method calls should appear to take effect in program order
- Sequential Consistency is not compositional



# Correctness Properties

## Sequential Consistency

- Method calls should appear to happen in a one-at-a-time sequential order
- For each thread method calls should appear to take effect in program order
- Sequential Consistency is not compositional

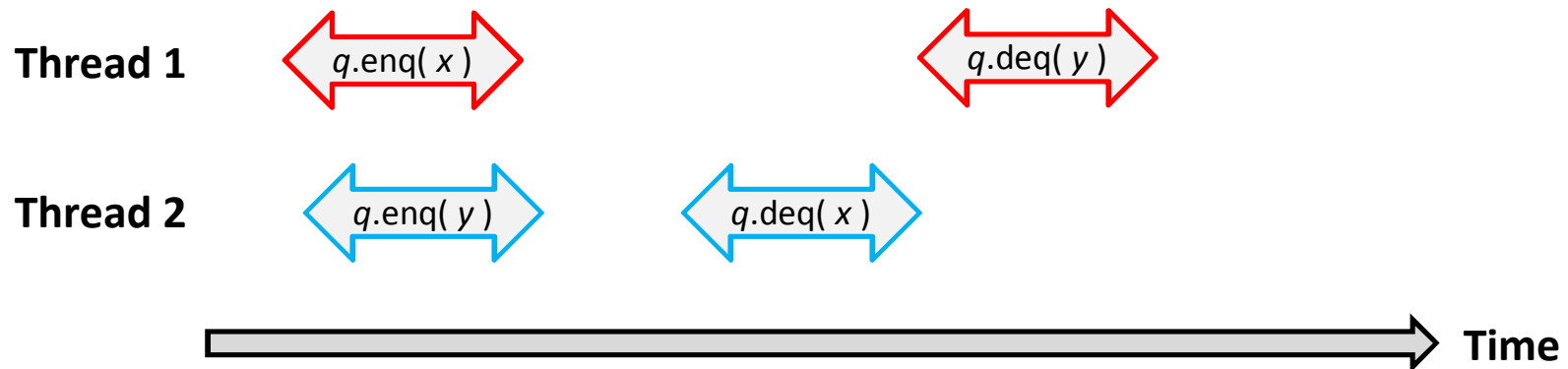


$p$  and  $q$  are independently sequentially consistent,  
but their composition is not

# Correctness Properties

## Linearizability

- Each method call should appear to take effect instantaneously at some moment between its invocation and response
- Compositional

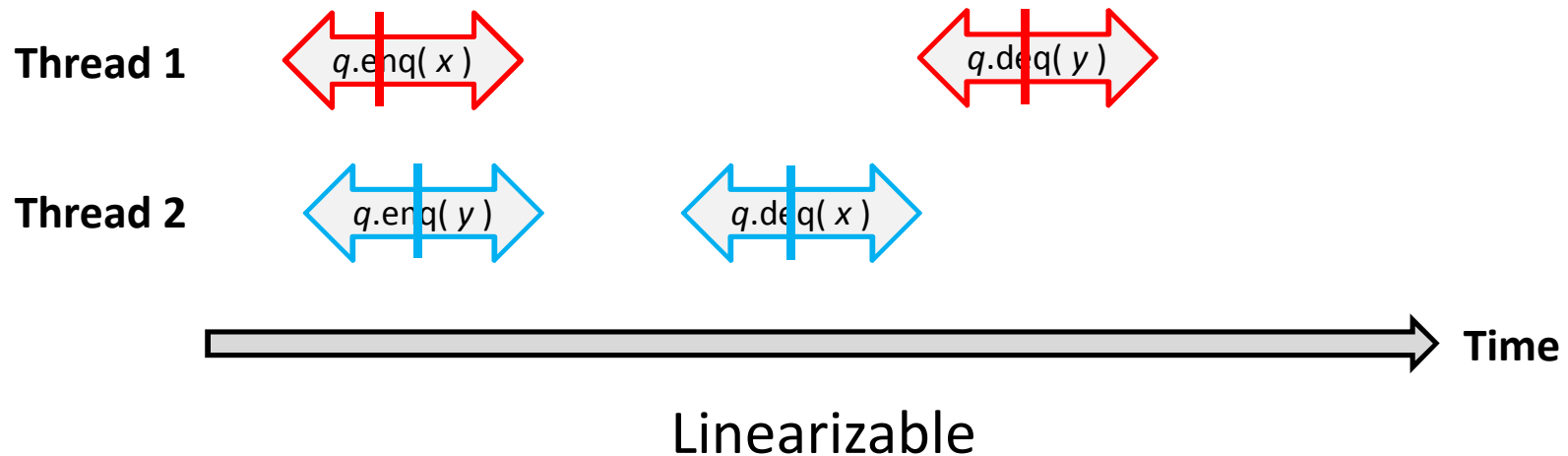




# Correctness Properties

## Linearizability

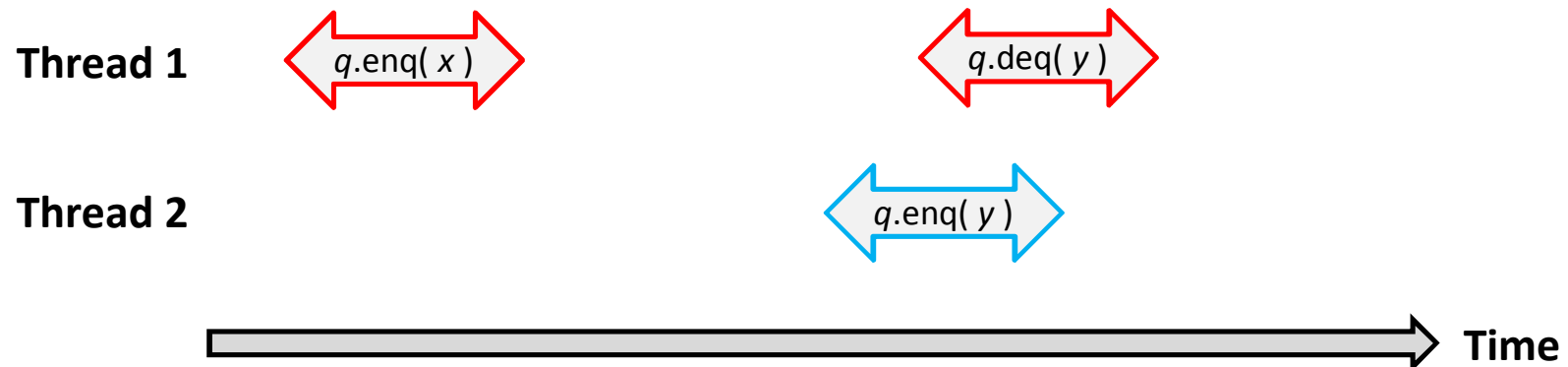
- Each method call should appear to take effect instantaneously at some moment between its invocation and response
- Compositional



# Correctness Properties

## Linearizability

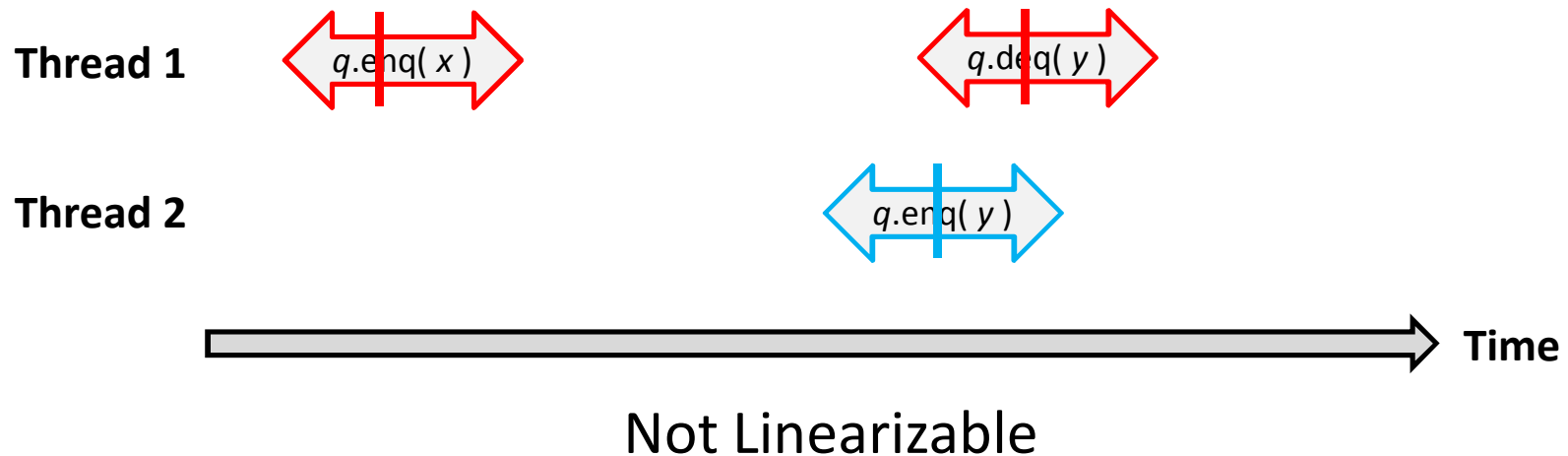
- Each method call should appear to take effect instantaneously at some moment between its invocation and response
- Compositional



# Correctness Properties

## Linearizability

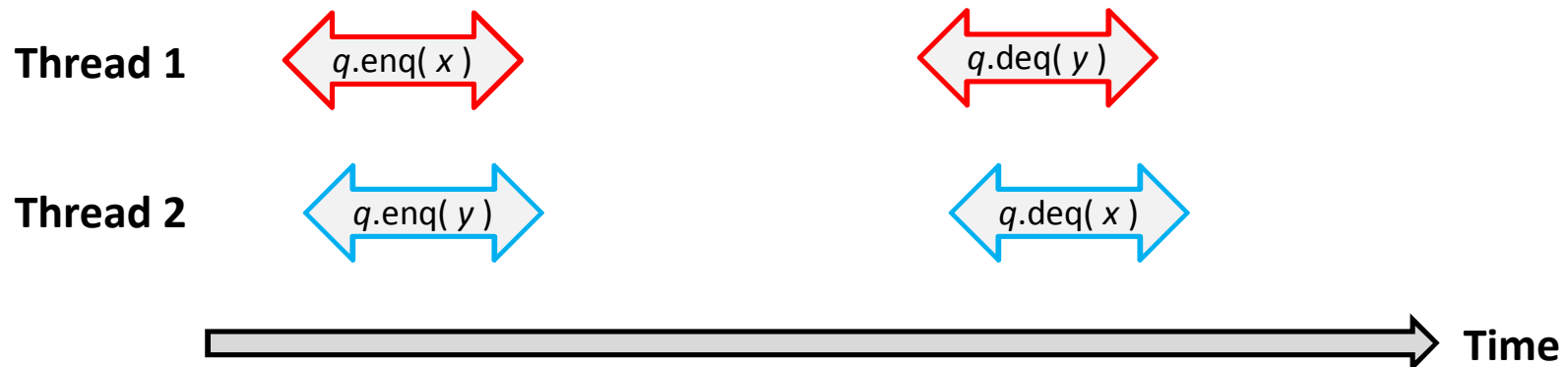
- Each method call should appear to take effect instantaneously at some moment between its invocation and response
- Compositional



# Correctness Properties

## Linearizability

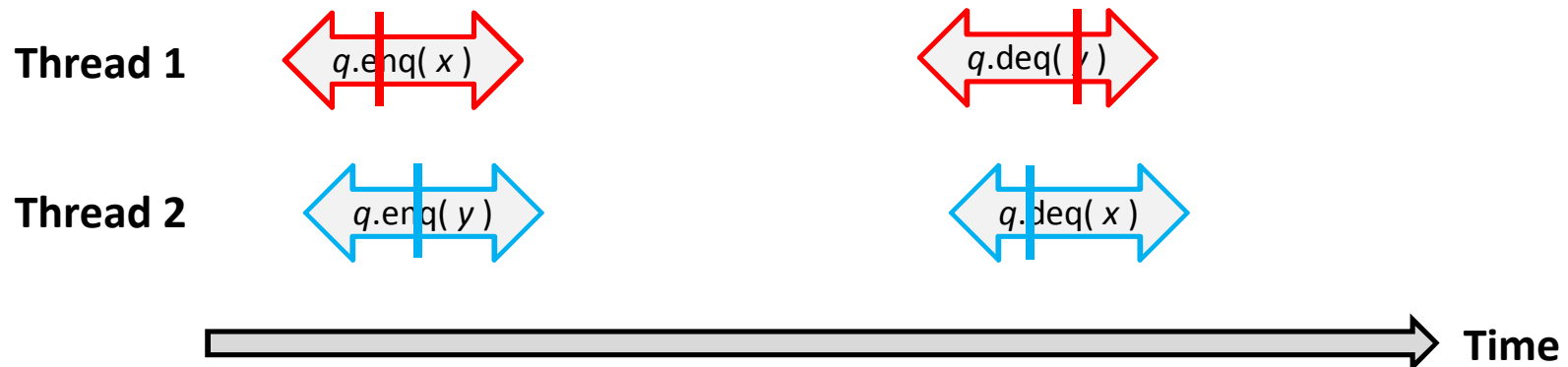
- Each method call should appear to take effect instantaneously at some moment between its invocation and response
- Compositional



# Correctness Properties

## Linearizability

- Each method call should appear to take effect instantaneously at some moment between its invocation and response
- Compositional

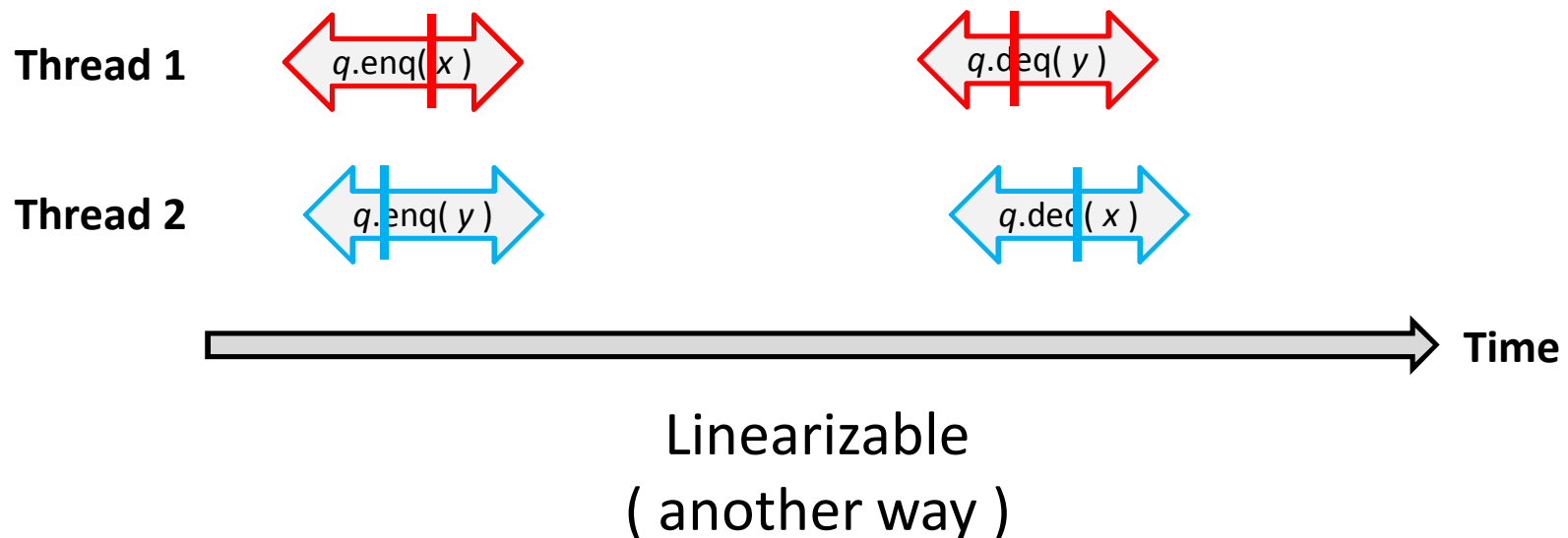


Linearizable  
( one way )

# Correctness Properties

## Linearizability

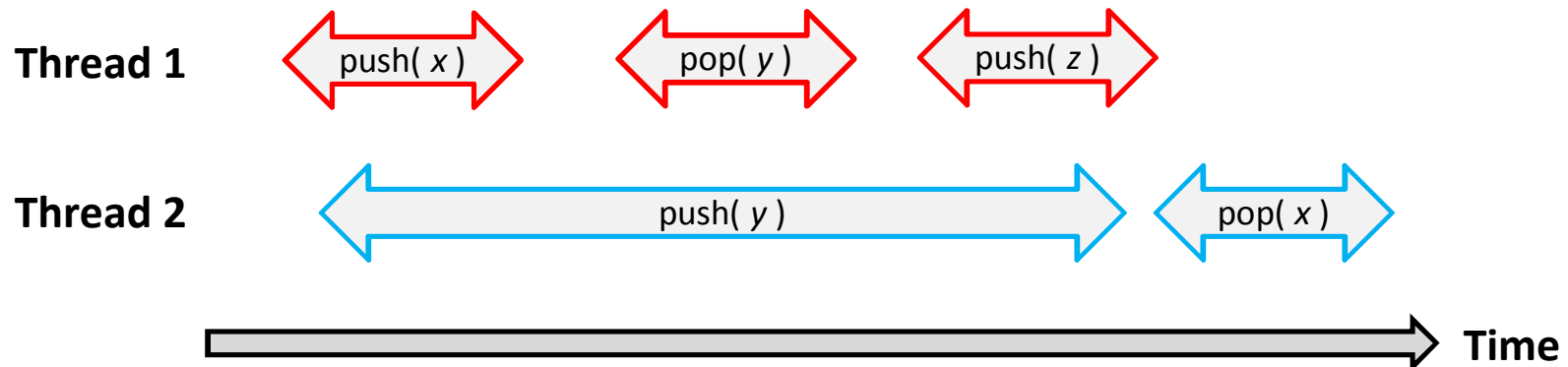
- Each method call should appear to take effect instantaneously at some moment between its invocation and response
- Compositional



# Correctness Properties

## Linearizability

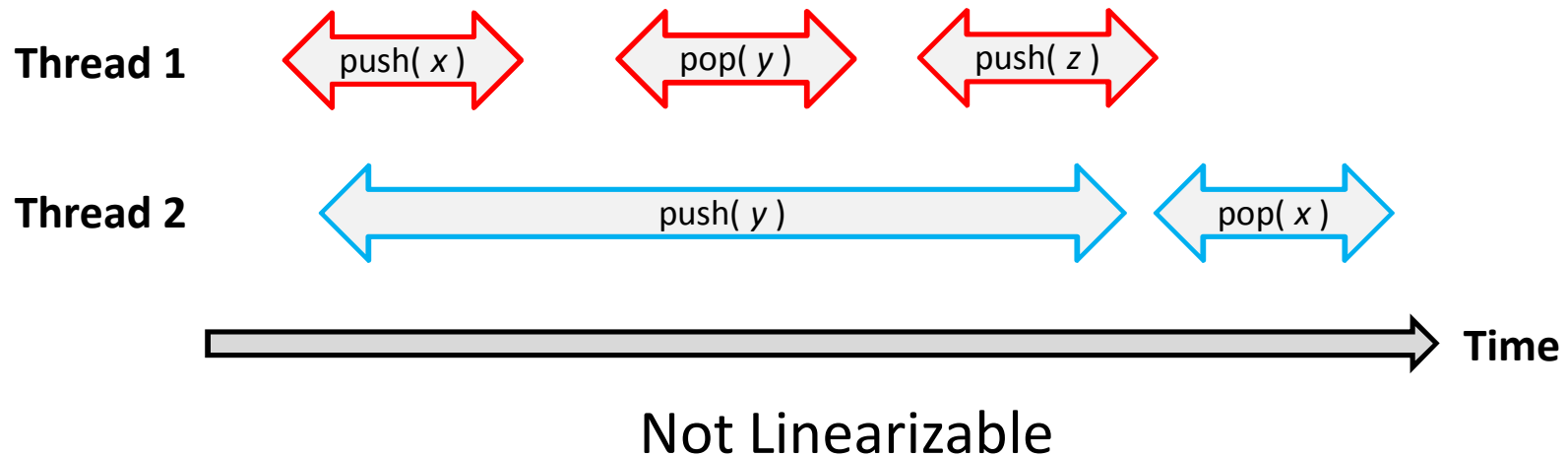
- Each method call should appear to take effect instantaneously at some moment between its invocation and response
- Compositional



# Correctness Properties

## Linearizability

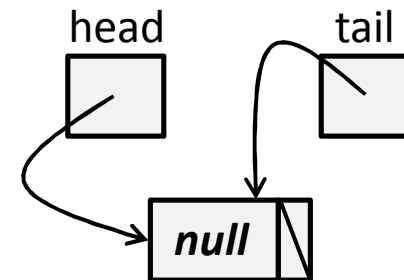
- Each method call should appear to take effect instantaneously at some moment between its invocation and response
- Compositional





# A Bounded Lock-Based Queue

```
1.  public class BoundedQueue< T > {
2.      ReentrantLock enqLock, deqLock;
3.      Condition notEmptyCondition, notFullCondition;
4.      AtomicInteger size;
5.      Node head, tail;
6.      int capacity;
7.      public BoundedQueue( int _capacity ) {
8.          capacity = _capacity;
9.          head = new Node( null );
10.         tail = head;
11.         size = new AtomicInteger( 0 );
12.         enqLock = new ReentrantLock( );
13.         notFullCondition = enqLock.newCondition( );
14.         deqLock = new ReentrantLock( );
15.         notEmptyCondition = deqLock.newCondition( );
16.     }
```

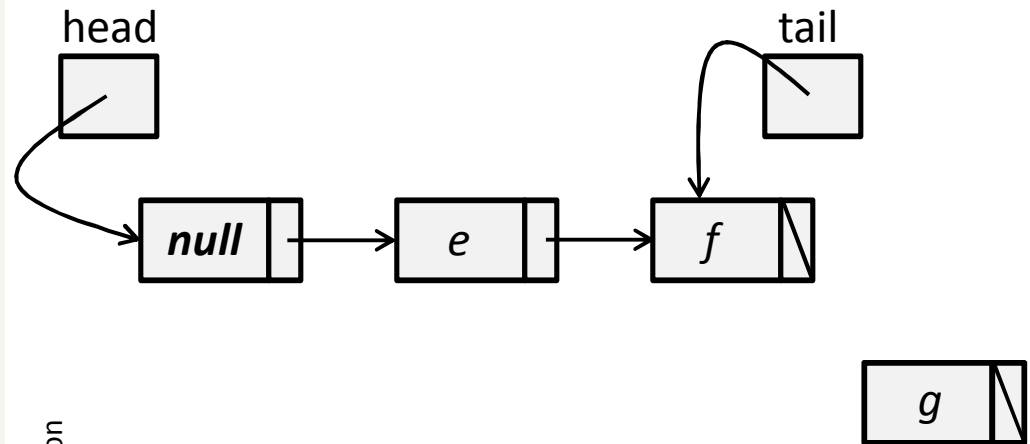


```
1.  protected class Node {
2.      public T value;
3.      public Node next;
4.      public Node( T x ) {
5.          value = x;
6.          next = null;
7.      }
8.  }
```

Source: Herlihy & Shavit., "The Art of Multiprocessor Programming", 1<sup>st</sup> Edition

# A Bounded Lock-Based Queue: Enqueue

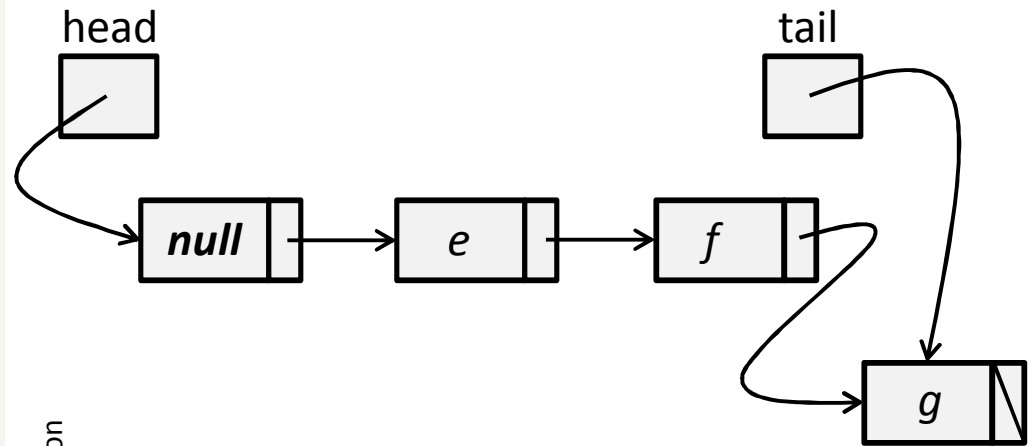
```
1.  public void enq( T x ) {
2.      boolean mustWakeDequeuers = false;
3.      enqLock.lock( );
4.      try {
5.          while ( size.get( ) == capacity )
6.              notFullCondition.await( );
7.          Node e = new Node( x );
8.          tail.next = tail = e;
9.          if ( size.getAndIncrement( ) == 0 )
10.             mustWakeDequeuers = true;
11.         } finally {
12.             enqLock.unlock( );
13.         }
14.         if ( mustWakeDequeuers ) {
15.             deqLock.lock( );
16.             try {
17.                 notEmptyCondition.signalAll( );
18.             } finally {
19.                 deqLock.unlock( );
20.             }
21.         }
22.     }
```



Source: Herlihy & Shavit.,  
"The Art of Multiprocessor Programming", 1<sup>st</sup> Edition

# A Bounded Lock-Based Queue: Enqueue

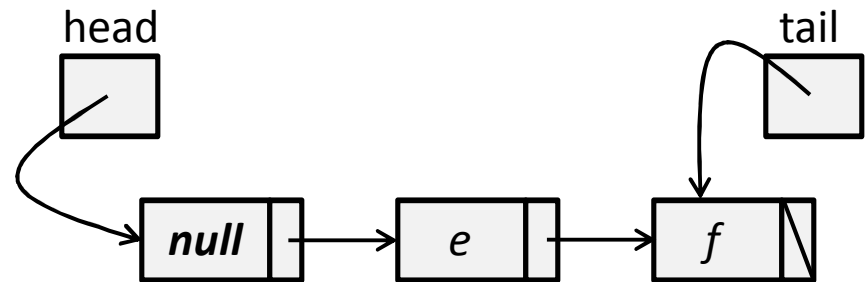
```
1.  public void enq( T x ) {
2.      boolean mustWakeDequeuers = false;
3.      enqLock.lock( );
4.      try {
5.          while ( size.get( ) == capacity )
6.              notFullCondition.await( );
7.          Node e = new Node( x );
8.          tail.next = tail = e;
9.          if ( size.getAndIncrement( ) == 0 )
10.             mustWakeDequeuers = true;
11.         } finally {
12.             enqLock.unlock( );
13.         }
14.         if ( mustWakeDequeuers ) {
15.             deqLock.lock( );
16.             try {
17.                 notEmptyCondition.signalAll( );
18.             } finally {
19.                 deqLock.unlock( );
20.             }
21.         }
22.     }
```



Source: Herlihy & Shavit.,  
"The Art of Multiprocessor Programming", 1<sup>st</sup> Edition

# A Bounded Lock-Based Queue: Dequeue

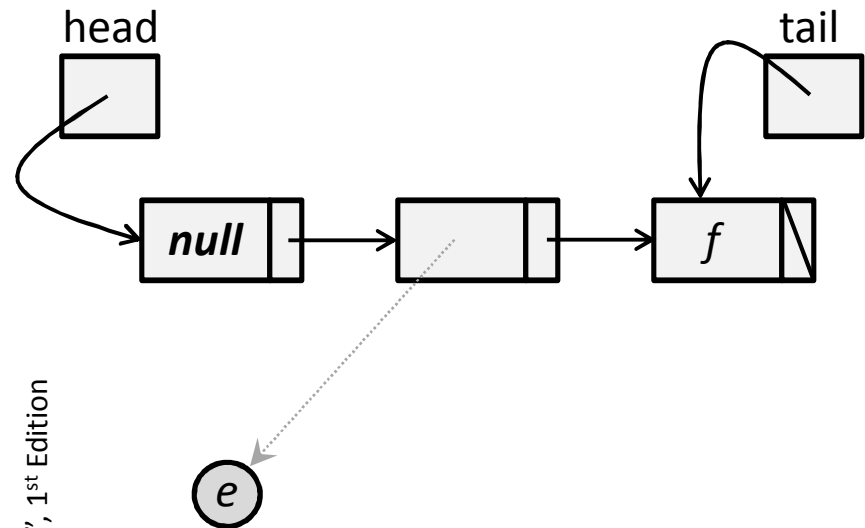
```
1.  public T deq( ) {
2.      T result;
3.      boolean mustWakeEnqueuers = false;
4.      deqLock.lock( );
5.      try {
6.          while ( size.get( ) == 0 )
7.              notEmptyCondition.await( );
8.          result = head.next.value;
9.          head = head.next;
10.         if ( size.getAndDecrement( ) == capacity ) {
11.             mustWakeEnqueuers = true;
12.         }
13.     } finally { deqLock.unlock( ); }
14.     if ( mustWakeEnqueuers ) {
15.         enqLock.lock( );
16.         try {
17.             notFullCondition.signalAll( );
18.         } finally { enqLock.unlock( ); }
19.     }
20.     return result;
21. }
```



Source: Herlihy & Shavit.,  
"The Art of Multiprocessor Programming", 1<sup>st</sup> Edition

# A Bounded Lock-Based Queue: Dequeue

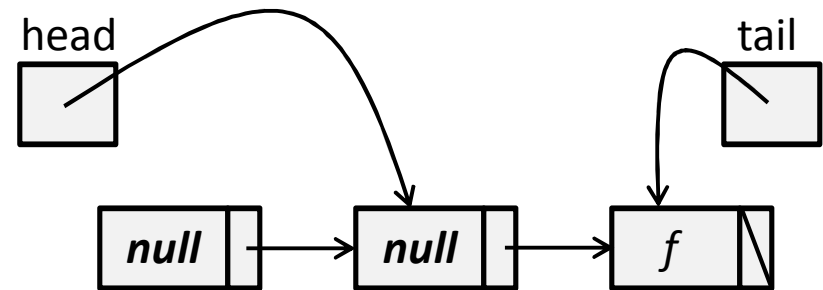
```
1.  public T deq( ) {
2.      T result;
3.      boolean mustWakeEnqueuers = true;
4.      deqLock.lock( );
5.      try {
6.          while ( size.get( ) == 0 )
7.              notEmptyCondition.await( );
8.          result = head.next.value;
9.          head = head.next;
10.         if ( size.getAndIncrement( ) == capacity ) {
11.             mustWakeEnqueuers = true;
12.         }
13.     } finally { deqLock.unlock( ); }
14.     if ( mustWakeEnqueuers ) {
15.         enqLock.lock( );
16.         try {
17.             notFullCondition.signalAll( );
18.         } finally { enqLock.unlock( ); }
19.     }
20.     return result;
21. }
```



Source: Herlihy & Shavit.,  
"The Art of Multiprocessor Programming", 1<sup>st</sup> Edition

# A Bounded Lock-Based Queue: Dequeue

```
1.  public T deq( ) {
2.      T result;
3.      boolean mustWakeEnqueuers = true;
4.      deqLock.lock( );
5.      try {
6.          while ( size.get( ) == 0 )
7.              notEmptyCondition.await( );
8.          result = head.next.value;
9.          head = head.next;
10.         if ( size.getAndIncrement( ) == capacity ) {
11.             mustWakeEnqueuers = true;
12.         }
13.     } finally { deqLock.unlock( ); }
14.     if ( mustWakeEnqueuers ) {
15.         enqLock.lock( );
16.         try {
17.             notFullCondition.signalAll( );
18.         } finally { enqLock.unlock( ); }
19.     }
20.     return result;
21. }
```

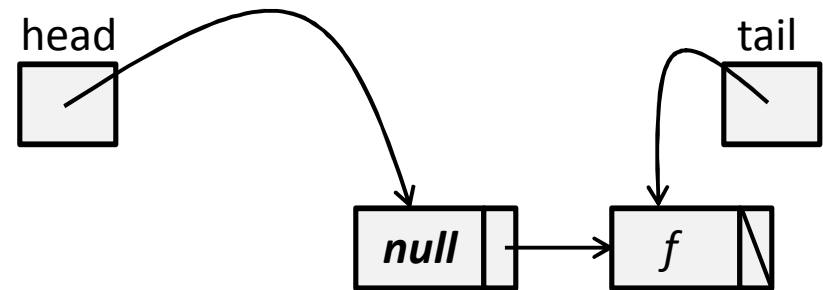


e

Source: Herlihy & Shavit.,  
"The Art of Multiprocessor Programming", 1<sup>st</sup> Edition

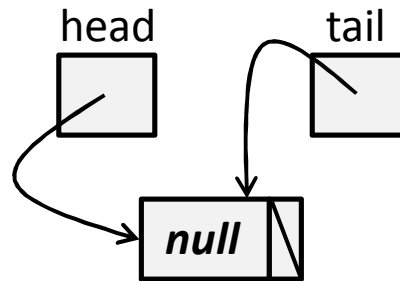
# A Bounded Lock-Based Queue: Dequeue

```
1.  public T deq( ) {
2.      T result;
3.      boolean mustWakeEnqueuers = true;
4.      deqLock.lock( );
5.      try {
6.          while ( size.get( ) == 0 )
7.              notEmptyCondition.await( );
8.          result = head.next.value;
9.          head = head.next;
10.         if ( size.getAndIncrement( ) == capacity ) {
11.             mustWakeEnqueuers = true;
12.         }
13.     } finally { deqLock.unlock( ); }
14.     if ( mustWakeEnqueuers ) {
15.         enqLock.lock( );
16.         try {
17.             notFullCondition.signalAll( );
18.         } finally { enqLock.unlock( ); }
19.     }
20.     return result;
21. }
```



Source: Herlihy & Shavit.,  
"The Art of Multiprocessor Programming", 1<sup>st</sup> Edition

# An Unbounded Lock-Free Queue

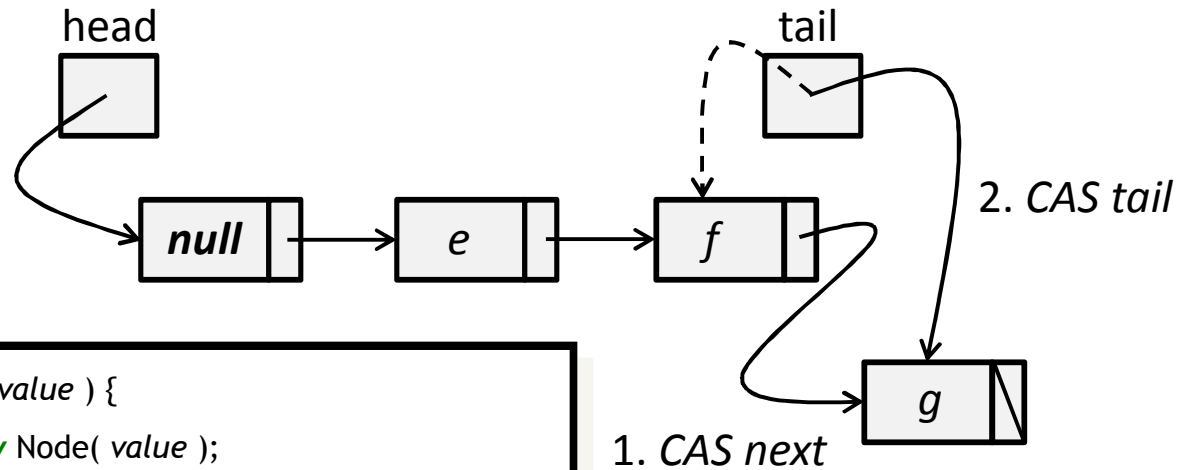


```
1.  public class Node {  
2.      public T value;  
3.      public AtomicReference< Node > next;  
4.      public Node( T _value ) {  
5.          value = _value;  
6.          next = new AtomicReference< Node >( null );  
7.      }  
8.  }
```

**Source:** Herlihy & Shavit.,  
"The Art of Multiprocessor Programming", 1<sup>st</sup> Edition



# An Unbounded Lock-Free Queue: Enqueue



```
1.  public void enq( T value ) {
2.      Node node = new Node( value );
3.      while ( true ) {
4.          Node last = tail.get( );
5.          Node next = last.next.get( );
6.          if ( last == tail.get( ) ) {
7.              if ( next == null ) {
8.                  if ( last.next.compareAndSet( next, node ) ) {
9.                      tail.compareAndSet( last, node );
10.                     return;
11.                 }
12.             } else { tail.compareAndSet( last, next ); }
13.         }
14.     }
15. }
```

Source: Herlihy & Shavit.,  
"The Art of Multiprocessor Programming", 1<sup>st</sup> Edition

# An Unbounded Lock-Free Queue: Dequeue

```
1.  public T deq( ) throws EmptyException {
2.      while ( true ) {
3.          Node first = head.get( );
4.          Node last = tail.get( );
5.          Node next = first.next.get( );
6.          if ( first == head.get( ) ) {
7.              if ( first == last ) {
8.                  if ( next == null ) {
9.                      throw new EmptyException( );
10.                 }
11.                 tail.compareAndSet( last, next );
12.             } else {
13.                 T value = next.value;
14.                 if ( head.compareAndSet( first, next ) )
15.                     return value;
16.             }
17.         }
18.     }
19. }
```

Source: Herlihy & Shavit., "The Art of Multiprocessor Programming", 1<sup>st</sup> Edition

# Exponential Backoff

```
1.  public class Backoff {
2.      final int minDelay, maxDelay;
3.      int limit;
4.      final Random rand;
5.      public Backoff( int min, int max ) {
6.          minDelay = min;
7.          maxDelay = min;
8.          limit = minDelay;
9.          rand = new Random( );
10.     }
11.     public void backoff( ) throws InterruptedException {
12.         int delay = rand.nextInt( limit );
13.         limit = Math.min( maxDelay, 2 * limit );
14.         Thread.sleep( delay );
15.     }
16. }
```

**Source:** Herlihy & Shavit., "The Art of Multiprocessor Programming", 1<sup>st</sup> Edition

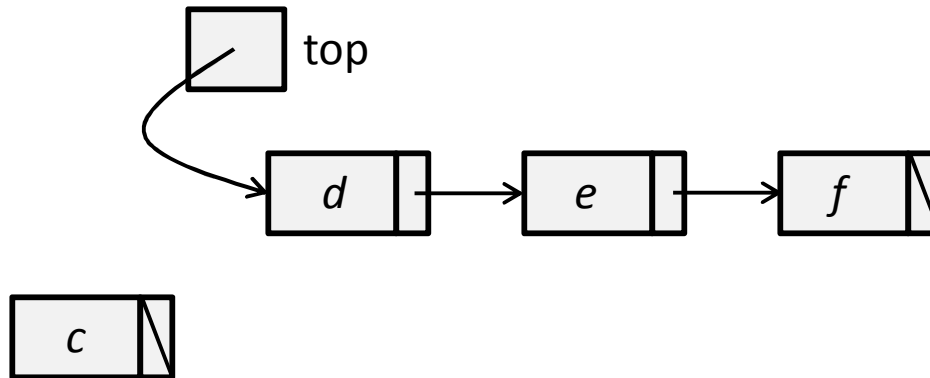
# An Unbounded Lock-Free Stack

```
1.  public class LockFreeStack< T > {
2.      AtomicReference< Node > top = new AtomicReference< Node >( null );
3.      static final int MIN_DELAY = ...;
4.      static final int MAX_DELAY = ...;
5.      Backoff backoff = new Backoff( MIN_DELAY, MAX_DELAY );

6.      protected class Node {
7.          public T value;
8.          public Node next;
9.          public Node( T _value ) {
10.             value = _value;
11.             next = null;
12.         }
13.     }
```

Source: Herlihy & Shavit., "The Art of Multiprocessor Programming", 1<sup>st</sup> Edition

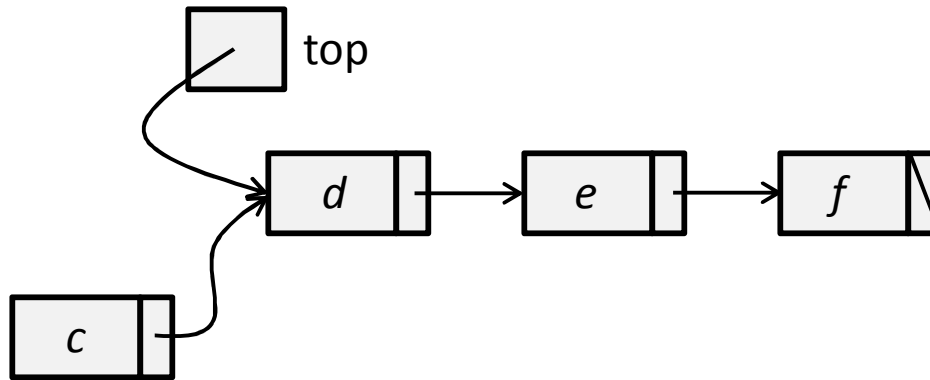
# An Unbounded Lock-Free Stack: Push



```
1.  protected boolean tryPush( Node node ) {  
2.      Node oldTop = top.get( );  
3.      node.next = oldTop;  
4.      return ( top.compareAndSet( oldTop, node ) );  
5.  }  
6.  public void push( T value ) {  
7.      Node node = new Node( value );  
8.      while ( true ) {  
9.          if ( tryPush( node ) ) { return; }  
10.         else { backoff.backoff( ); }  
11.     }  
12. }
```

Source: Herlihy & Shavit., "The Art of Multiprocessor Programming", 1<sup>st</sup> Edition

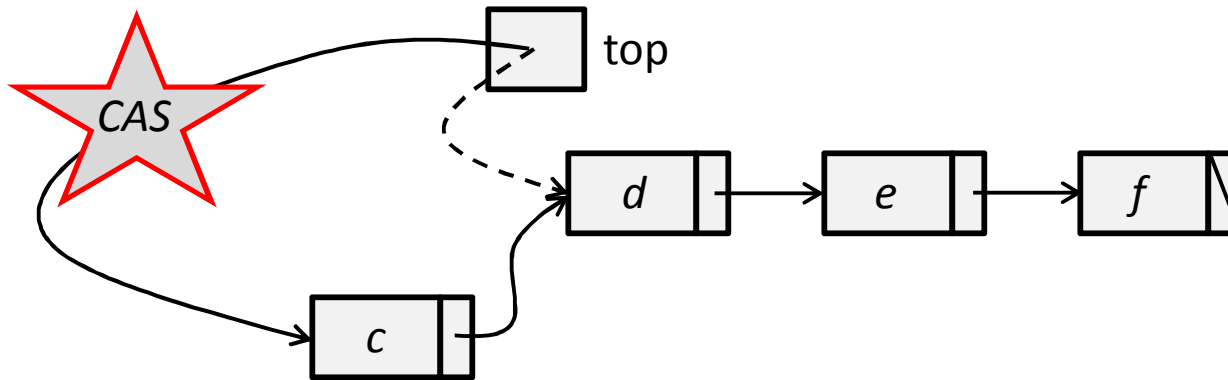
# An Unbounded Lock-Free Stack: Push



```
1.  protected boolean tryPush( Node node ) {  
2.      Node oldTop = top.get( );  
3.      node.next = oldTop;  
4.      return ( top.compareAndSet( oldTop, node ) );  
5.  }  
6.  public void push( T value ) {  
7.      Node node = new Node( value );  
8.      while ( true ) {  
9.          if ( tryPush( node ) ) { return; }  
10.         else { backoff.backoff( ); }  
11.     }  
12. }
```

Source: Herlihy & Shavit., "The Art of Multiprocessor Programming", 1<sup>st</sup> Edition

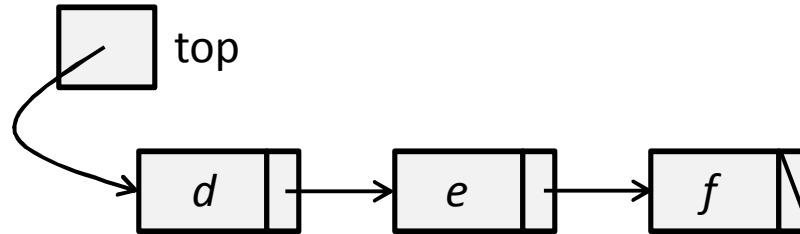
# An Unbounded Lock-Free Stack: Push



```
1. protected boolean tryPush( Node node ) {  
2.     Node oldTop = top.get( );  
3.     node.next = oldTop;  
4.     return ( top.compareAndSet( oldTop, node ) );  
5. }  
6. public void push( T value ) {  
7.     Node node = new Node( value );  
8.     while ( true ) {  
9.         if ( tryPush( node ) ) { return; }  
10.        else { backoff.backoff( ); }  
11.    }  
12. }
```

Source: Herlihy & Shavit., "The Art of Multiprocessor Programming", 1<sup>st</sup> Edition

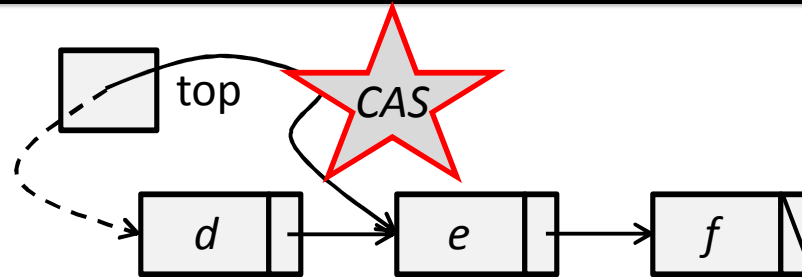
# An Unbounded Lock-Free Stack: Pop



```
1. protected Node tryPop( ) throws EmptyException {
2.     Node oldTop = top.get( );
3.     if ( oldTop == null ) {
4.         throw new EmptyException( );
5.     }
6.     Node newTop = oldTop.next;
7.     if ( top.compareAndSet( oldTop, newTop ) ) { return oldTop; }
8.     else { return null; }
9. }
10. public T pop( ) throws EmptyException {
11.     while ( true ) {
12.         Node returnNode = tryPop( );
13.         if ( returnNode != null ) { return returnNode.value; }
14.         else { backoff.backoff( ); }
15.     }
16. }
```

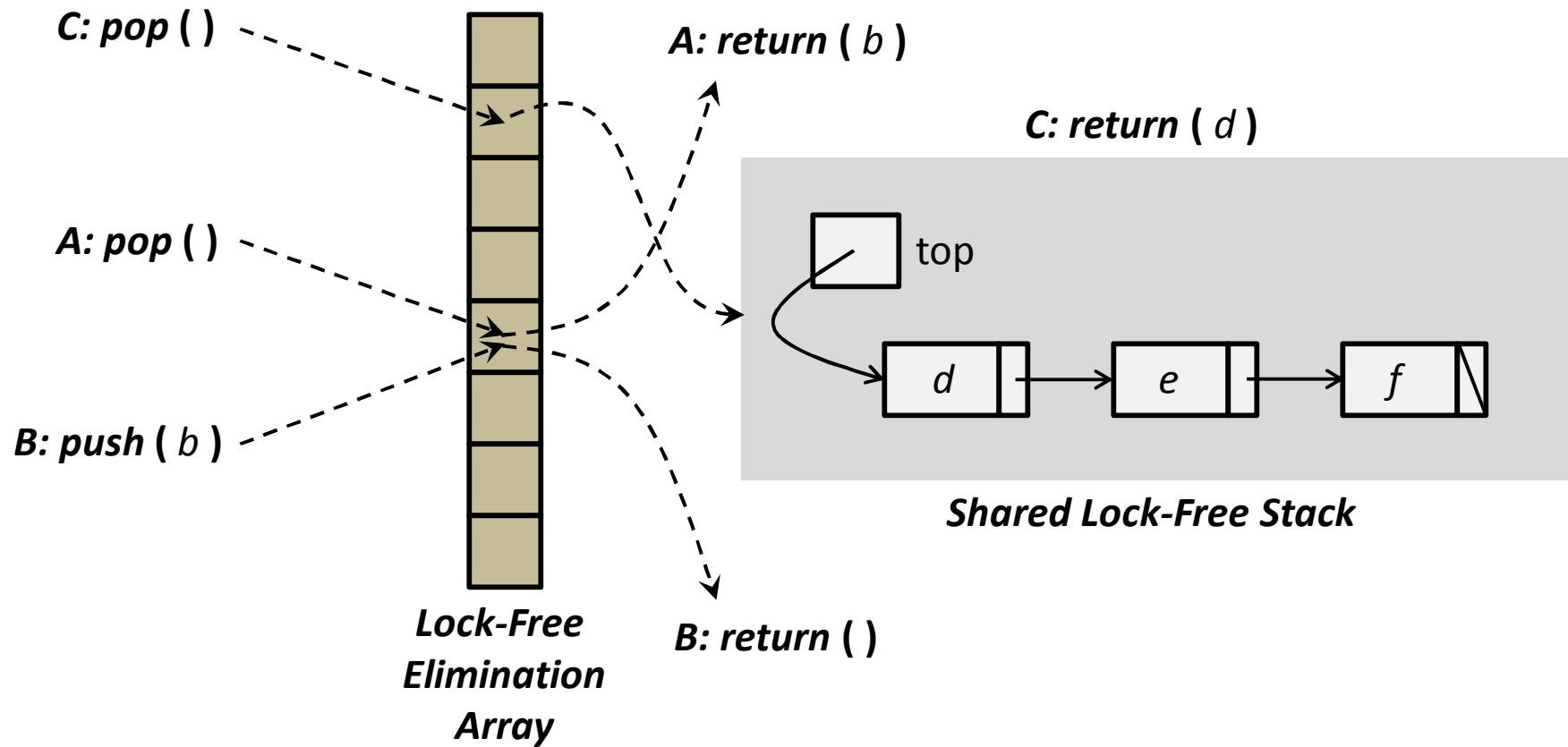


# An Unbounded Lock-Free Stack: Pop



```
1. protected Node tryPop( ) throws EmptyException {
2.     Node oldTop = top.get( );
3.     if ( oldTop == null ) {
4.         throw new EmptyException( );
5.     }
6.     Node newTop = oldTop.next;
7.     if ( top.compareAndSet( oldTop, newTop ) ) { return oldTop; }
8.     else { return null; }
9. }
10. public T pop( ) throws EmptyException {
11.     while ( true ) {
12.         Node returnNode = tryPop( );
13.         if ( returnNode != null ) { return returnNode.value; }
14.         else { backoff.backoff( ); }
15.     }
16. }
```

# Elimination-Backoff Stack



# Elimination Array

```
1.  public class EliminationArray< T > {
2.      private static final int duration = ...;
3.      LockFreeExchanger< T >[ ] exchanger;
4.      Random rand;
5.      public EliminationArray( int capacity ) {
6.          exchanger = ( LockFreeExchanger< T >[ ] ) new LockFreeExchanger[ capacity ];
7.          for ( int i = 0; i < capacity; i++ ) {
8.              exchanger[ i ] = new LockFreeExchanger< T >( );
9.          }
10.         rand = new Random( );
11.     }
12.     public T visit( T value, int range ) throws TimeoutException {
13.         int slot = rand.nextInt( range );
14.         return ( exchanger[ slot ].exchange( value, duration, TimeUnit.MILLISECONDS ) );
15.     }
16. }
```

**Source:** Herlihy & Shavit., "The Art of Multiprocessor Programming", 1<sup>st</sup> Edition

# An Unbounded Lock-Free Elimination-Backoff Stack

```
1.  public class EliminationBackoffStack< T > extends LockFreeStack< T > {
2.      static final int capacity = ...;
3.      EliminationArray< T > eliminationArray = new EliminationArray< T >( capacity );
4.      static int range = ...;

5.      public void push( T value ) {
6.          Node node = new Node( value );
7.          while ( true ) {
8.              if ( tryPush( node ) ) { return; }
9.              else try {
10.                 T otherValue = eliminationArray.visit( value, range );
11.                 if ( otherValue == null ) { return; } // exchanged with pop
12.             } catch ( TimeoutException ex ) {}
13.         }
14.     }
```

**Source:** Herlihy & Shavit., "The Art of Multiprocessor Programming", 1<sup>st</sup> Edition  
( modified )

# An Unbounded Lock-Free Elimination-Backoff Stack

```
1.  public T pop( ) throws EmptyException {  
2.      while ( true ) {  
3.          Node returnNode = tryPop( );  
4.          if ( returnNode != null ) { return returnNode.value; }  
5.          else try {  
6.              T otherValue = eliminationArray.visit( null, range );  
7.              if ( otherValue != null ) { return otherValue; }  
8.          } catch ( TimeoutException ex ) { }  
9.      }  
10. }
```

Source: Herlihy & Shavit., "The Art of Multiprocessor Programming", 1<sup>st</sup> Edition  
( modified )